

QLZ06/2424-3038

# AC tangential blower

forward-curved



## ebm-papst Landshut GmbH

Hofmark-Aich-Straße 25

D-84030 Landshut

Phone +49 (0) 871 707-0

Fax +49 (0) 871 707-465

info3@de.ebmpapst.com

www.ebmpapst.com

## Nominal data

Type	QLZ06/2424-3038	
Phase		1~
Nominal voltage	VAC	230
Frequency	Hz	50
Speed	min <sup>-1</sup>	1150
Power consumption	W	45
Current draw	A	0.35
Min. ambient temperature	°C	0
Max. ambient temperature	°C	60
Air flow	m <sup>3</sup> /h	300
Pressure increase	Pa	55

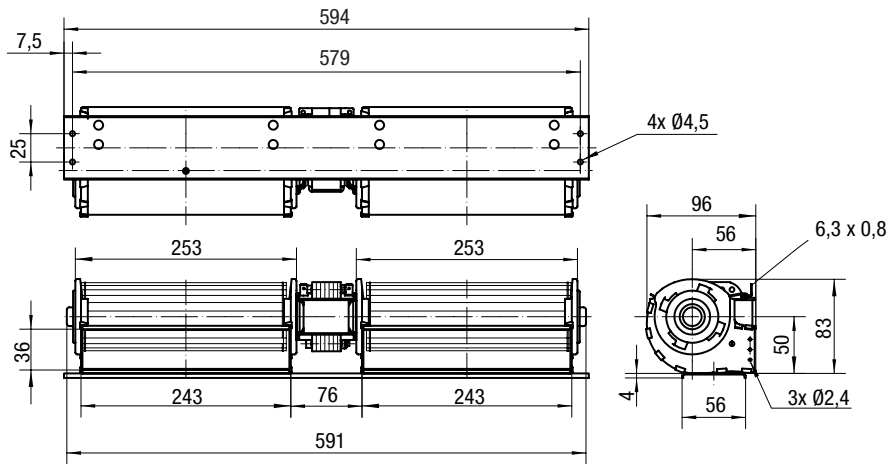
ml = Max. load · me = Max. efficiency · fa = Free air · cs = Customer specification · ce = Customer equipment  
Subject to change



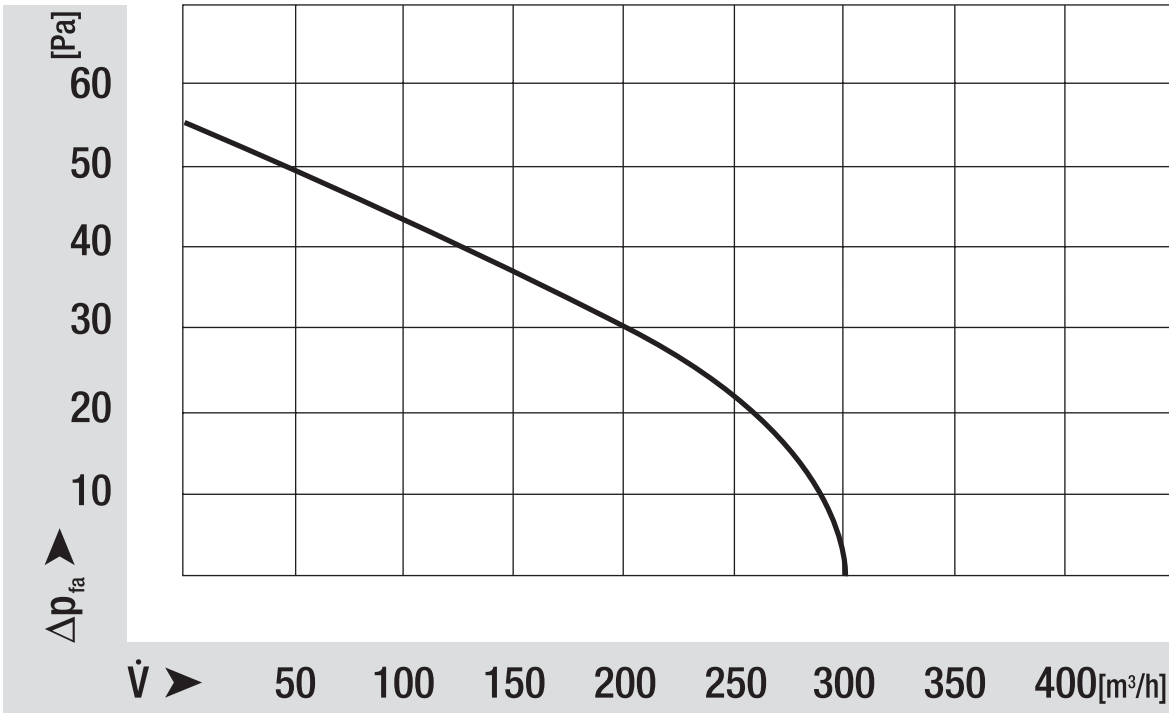
**Technical description**

<b>Weight</b>	2.30 kg
<b>Dimensions</b>	60 mm
<b>Insulation class</b>	B on request also F and H
<b>Installation position</b>	Horizontal
<b>Cable</b>	Flat plug 6.3 x 0.8

## Product drawing



## Curves: Air performance



# AC tangential blower

forward-curved

## Curves: Speed

